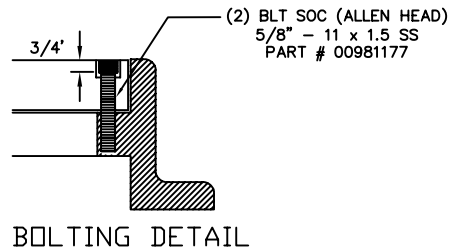
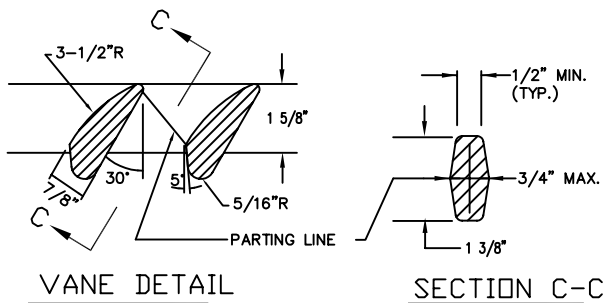


NOTE:

- ① MATERIAL USED SHALL BE DUCTILE IRON PER ASTM-A536, GRADE 80-55-06, WITH BITUMINOUS COATING.
- ② FRAME AND VANED GRATE LOCKABLE EAST JORDAN #00775013 & #00775043 OR EQUAL.
- ③ GRATE TO BE USED WITH FRAME SHOWN IN STD DWG 4-5. CAST IRON ASTM A48 CL35
- ④ THE NAME OF THE MANUFACTURER AND DIRECTION OF FLOW SHALL BE EMBOSSED ON THE TOP SURFACE OF EACH GRATE. LETTERING TO BE RECESSED 1/16".
- ⑤ DIMENSIONS SHALL HAVE A +/- TOLERANCE, EXCEPT AS NOTED.
- ⑥ EDGES SHALL HAVE A 1/8" RADIUS, 1/8" CHAMFER OR COMPLETE DEBURRING.
- ⑦ AS AN ALTERNATE, EIGHT PADS 1 1/2"x3/4"x1/8" INTEGRALLY CAST WITH THE GRATE MAY BE USED.
- ⑧ LOAD RATING HEAVY DUTY



W.S.D.O.T. STD PLAN B-2B

VANED GRATE FOR CATCH BASIN OR INLET (STANDARD NOT OPEN CURB FACE)