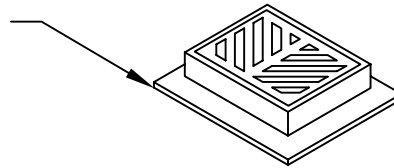
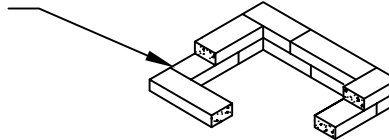


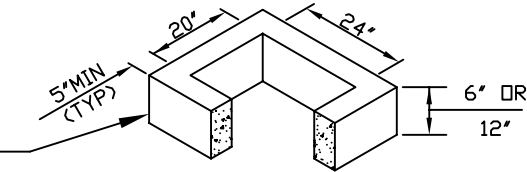
FRAME AND SOLID GRATE PER STD 4-5
 SLOTTED GRATE PER STD 4-6
 VANED COVER PER STD 4-8
 OPEN CURB FACE PER STD 4-11



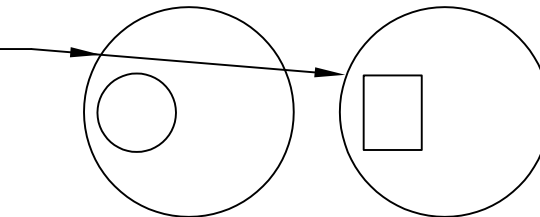
2'x4'x8' SOLID BRICK
 USED FOR FINAL ADJUSTMENT
 TO GRADE. 6" HIGH MAX



2", 4", 6" OR 12" CONCRETE
 RISER SECTION
 CLASS 4000 CONC

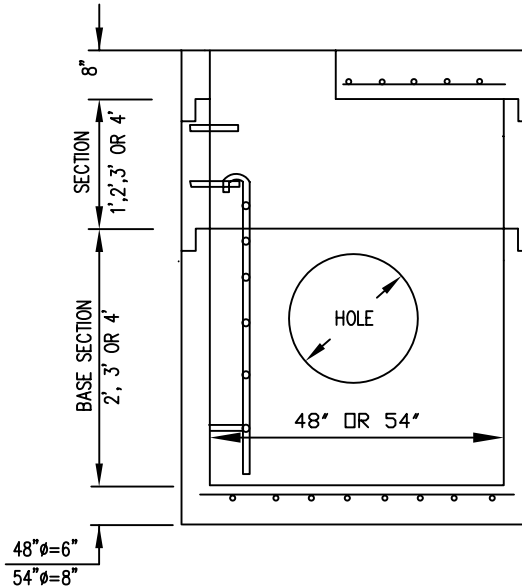


TOP SLAP WITH
 24" ROUND ACCESS OR
 20"x24" RECTANGULAR ACCESS



NOTES:

- 1 ALL TYPE 2 CB'S EQUIPPED WITH OPEN GRATES SHALL BE LOCKING TYPE.
- 2 ALL TYPE 2 CB'S NOT IN PAVED AREAS SHALL BE EQUIPPED WITH LOCKING LIDS,
- 3 CB'S SHALL BE SET SO THAT STEPS ARE DIRECTLY UNDER OPENING.
- 4 ALL TYPE 2 CB'S SHALL BE EQUIPPED WITH STEPS AND LADDER PER STD 6-7.
- 5 CONCRETE SHALL BE CLASS 4000.
- 6 MIN DISTANCE FROM INVERT TO CB BOTTOM SHALL BE 2.0'.
- 7 CB SECTIONS AND LID WILL BE HS20 TRAFFIC LOAD CERTIFIED BY MFG.
- 8 HOLE SIZE = PIPE OD + 5". MAX
 MAX HOLE SIZE = 36" (48" CB)
 MAX HOLE SIZE = 42" (54" CB)
- 9 PIPES SHALL NOT PENETRATE MORE THAN 3" BEYOND WALL AND PENETRATIONS SHALL BE MUDDED INTO A SMOOTH ROUNDED CONDITION.



CATCH BASIN TYPE 2 (48" OR 54")



8-2003
 date

4-4
 number