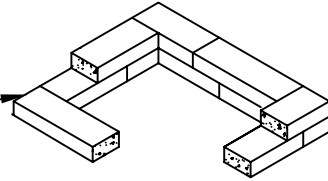
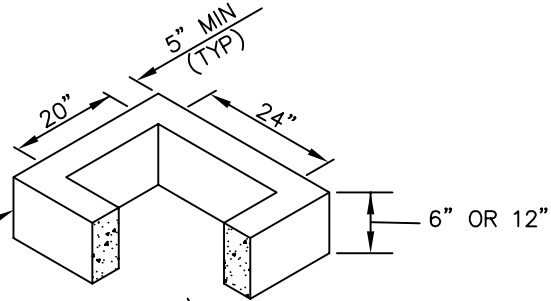


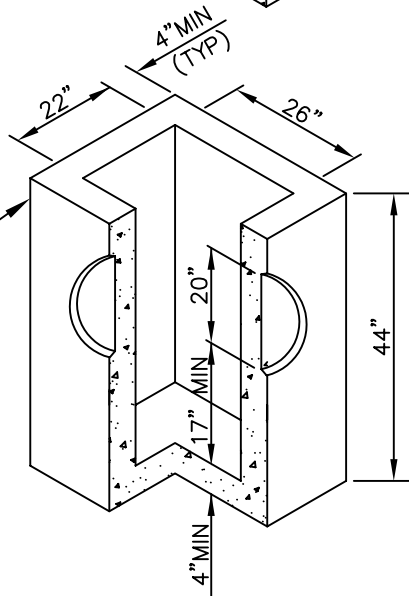
FRAME AND OPEN GRATE PER STD 4-5  
 VANED GRATE PER STD 4-6  
 SOLID COVER PER STD 4-7  
 OPEN CURB FACE PER STD 4-11



2"x4"x8" SOLID BRICK  
 USED FOR FINAL ADJUSTMENT  
 TO GRADE. 6" HIGH MAX



2", 4", 6" OR 12" CONCRETE  
 RISER SECTION  
 CLASS 4000 CONC



PRECAST CONC BASE SECTION  
 W/MAX OF ONE 20"Ø KNOCKOUT  
 PER SIDE, ENTRANCE ANGLE  
 TO BE LIMITED BY KNOCKOUTS  
 CLASS 4000 CONC  
 PIPE OUTER DIA PLUS CB  
 WALL THICKNESS SHALL  
 NOT EXCEED 20".

CATCH BASIN TO CONFORM TO WSDOT STANDARD PLAN B-1

NOTES:

- MAXIMUM DEPTH FROM FINISH GRADE TO PIPE INVERT SHALL BE 5 FEET.  
 DEPTHS OVER 5 FEET SEE DETAIL #4-4
- PIPES SHALL NOT PENETRATE MORE THAN 3" BEYOND WALL, AND  
 PENETRATION SHALL BE MUDDED INTO A SMOOTH ROUNDED CONDITION.

## CATCH BASIN TYPE I