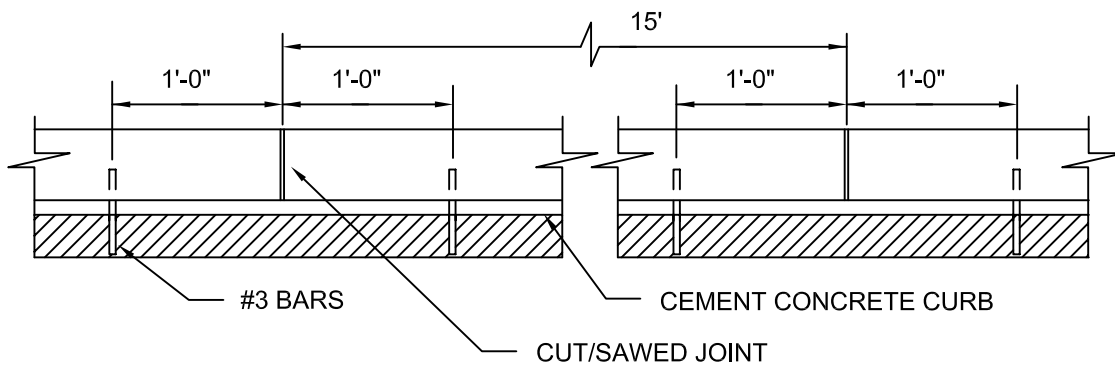


EXTRUDED CEMENT CONCRETE CURB



SPACING OF ANCHOR BARS

NOTES:

1. DUMMY JOINTS SHALL BE PLACED NOT TO EXCEED 15'CLS. THRU JOINTS SHALL BE PLACED ONLY AT POINTS OF TANGENCY ON STREET ALLEY AND DRIVEWAY RETURNS AND WHERE THRU JOINTS OCCUR IN THE PAVEMENT SLAB.
2. CONCRETE SHALL BE CLASS 3000 OR COMMERCIAL WITH AIR-ENTRAPMENT.
3. AT THE CONTRACTOR'S OPTION CONCRETE CURBS MAY BE ANCHORED TO THE EXISTING PAVEMENT EITHER BY PLACING STEEL TIE BARS 1 FOOT ON EACH SIDE OF EVERY JOINT, OR BY USING AN ADHESIVE. THE ADHESIVE SHALL MEET THE REQUIREMENTS OF SECTION 9-26 OF THE WSDOT/APWA STANDARD SPECIFICATIONS FOR TYPE II EPOXY RESIN.

EXTRUDED CEMENT CONCRETE CURB