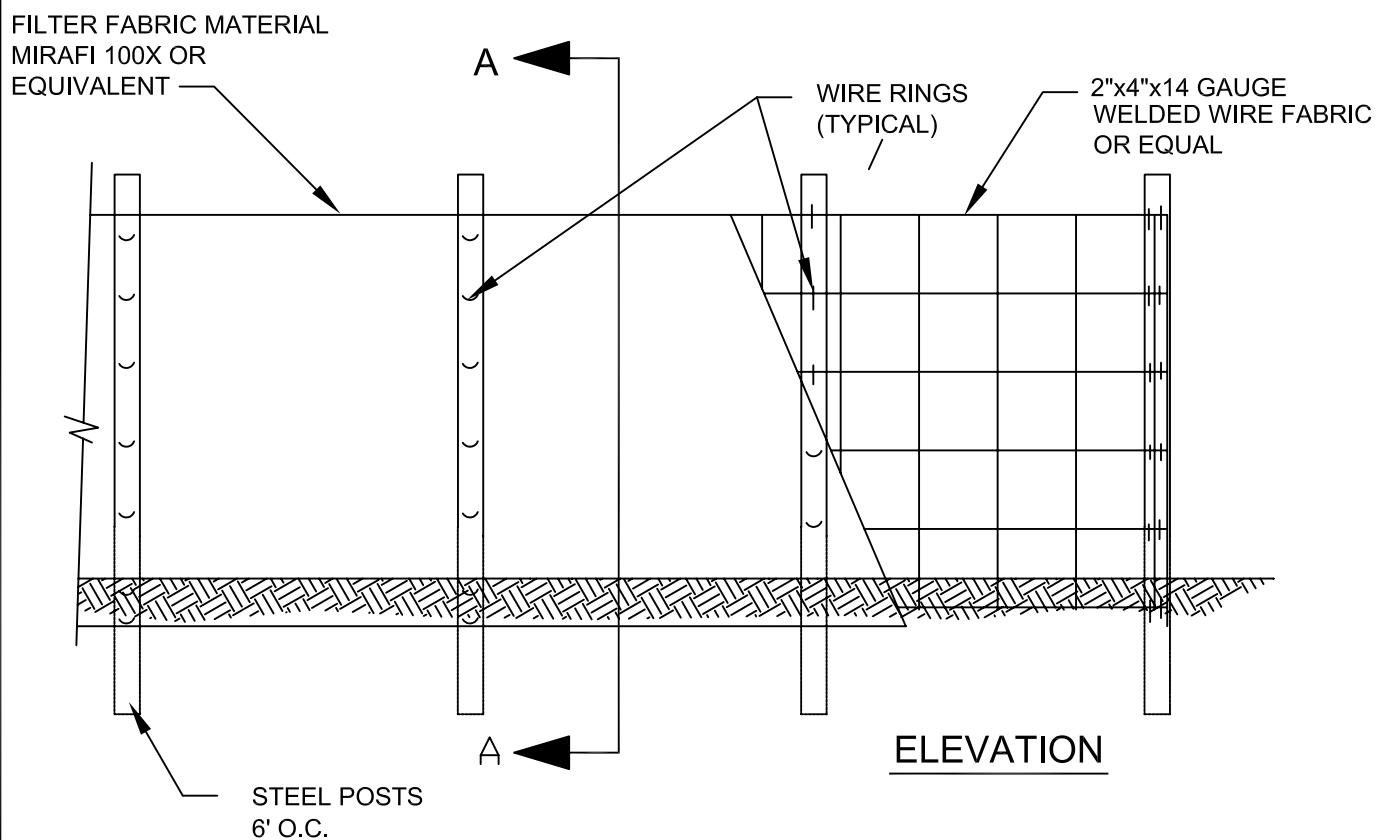


**SECTION A-A**



**SILT FENCE**

I:\Standard\_Plans

DRAWING NUMBER	STD2-5
SCALE	NONE
REVISION DATE	11/05
DEPARTMENT	PW